

Product Description:

The ThinkingWall Desk features the same high quality drywipe surface as the other ThinkingWall core products, providing the ability to write notes, plans and ideas directly onto the desk top.

The mix of exposed end grain plywood, white gloss finish and steel offer a clean and ultra modern feel which will sit well in a variety of offices and working environments. It's design encourages collaborative meetings by getting people away from their individual space and engage in conversation.

Product Features:

- Drywipe writing surface
- Large stable work area
- Contemporary look and feel
- Standing height
- Central hole for cables
- Sturdy steel legs

Product Details

Size:

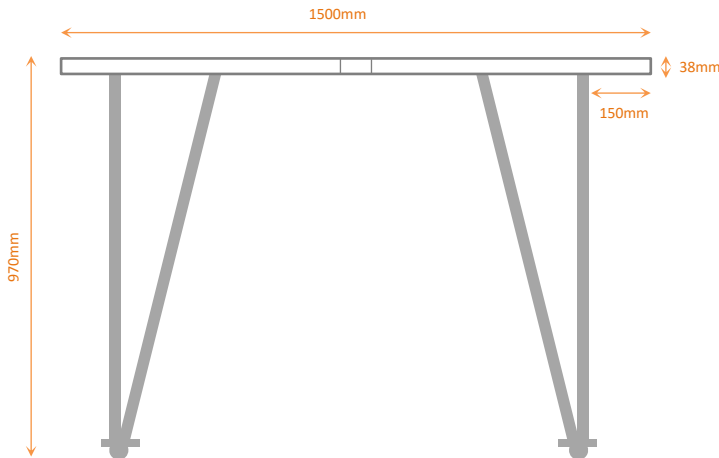
- Desk top size 1500mm x 1500mm
- Desk thickness 38mm
- Overall height 970mm

Corners & Edges:

Square corners with exposed lacquered plywood edges. Circular cut out in the centre for cable management.

Assembly:

The ThinkingWall desk is supported by sturdy legs in an industrial style steel construction and set at ideal standing height. The desk top is delivered in one piece, the legs are attached on site.



We welcome opportunities to discuss projects in the early design stages to advise on best use of materials and wall spaces or any efficiencies that can be made.

Quotes can be provided from drawings and based on the number of panels required.

Further details can be found on our RIBA product selector page and ThinkingWall® can be found in the NBS plus software package.

