

Product Description:

A portable frameless magnetic whiteboard, the ThinkingWall freestander is proving the perfect solution when wall space is in short supply. It delivers the functionality of a traditional whiteboard with a clean, modern and contemporary look.

The double sided writing surface, made from the same high quality material as the wall mounted ThinkingWall, provides a large space ideal for visual thinking and creative planning. A clean, simple base removes the need for frames or legs and the associated tripping hazards whilst maximising the available writing space.

Product Features:

- Double sided writing area.
- Magnetic dry wipe surface.
- Sleek, frameless finish.
- Portable & easy to use.
- Reduces trip hazards.
- Rolls through doors.

Product Details

Size:

All ThinkingWall® Freestanders are a standard size:

- Panel size 1200mm (w) x 1500mm (h)
- Panel thickness 20mm
- Overall height 1950mm
- Base width 400mm

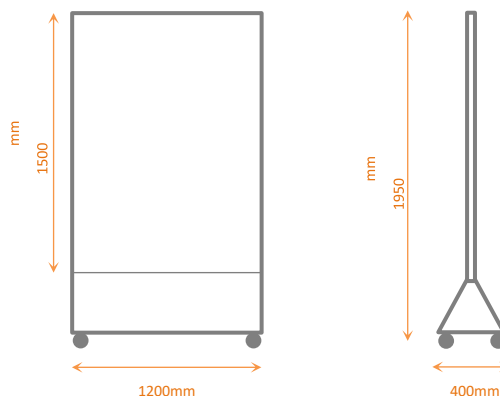
Corners & Edges:

Square corners with edges finished in white with a slight chamfer. Protective bump strips can be fitted to the base unit as optional extra.

Assembly:

The ThinkingWall® Freestander is manufactured in two parts for ease of delivery.

The base is set on 4 lockable castors to create a stable platform and is triangular in shape for added stability. The frameless double sided panel fits securely into the base and is fastened in place with concealed fixings.



We welcome opportunities to discuss projects in the early design stages to advise on best use of materials and wall spaces or any efficiencies that can be made.

Quotes can be provided from drawings and based on the number of panels required.

Further details can be found on our RIBA product selector page and ThinkingWall® can be found in the NBS plus software package.

riba
product
selector

n55Plus

